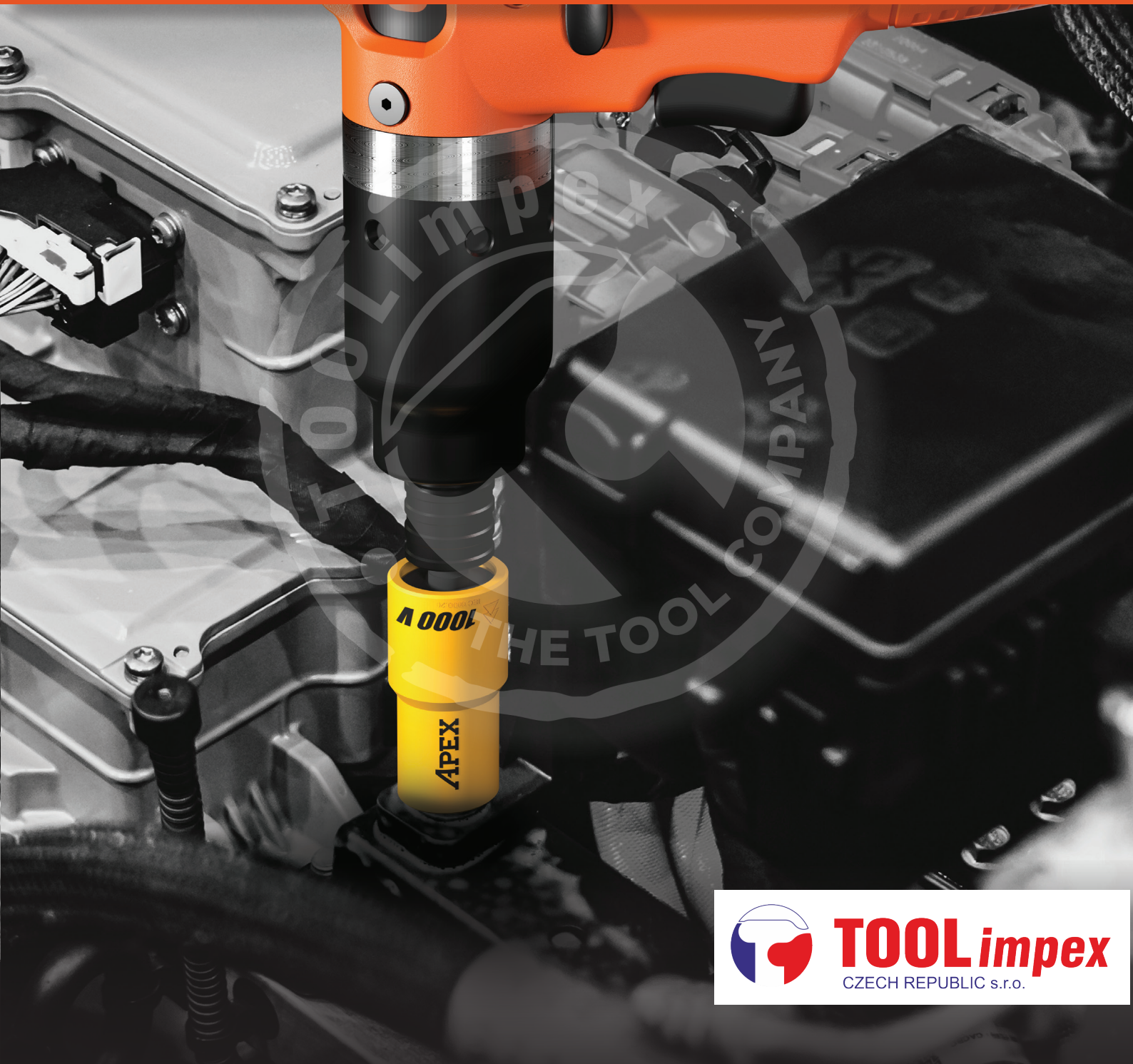


APEX

HIGH VOLTAGE ISOLATED ASSEMBLY SOLUTIONS



TOOLimpex
CZECH REPUBLIC s.r.o.

Safer Tightening for an EV Future

SAFETY AND FLEXIBILITY

Ensure the safety of your assembly team above all else.

Apex offers High Voltage Isolated Adaptors and High Voltage Quick Change Isolated Adaptors, which can be used in combination with all our U-Guard covered products. This adaptable system provides flexibility with countless combinations, saving you the hassle of ordering special isolated sockets. Your team's safety matters most, and Apex is here to make it easy.



ISOLATION ZONE PROTECTS UP TO 1000V

Insulates all your standard sockets



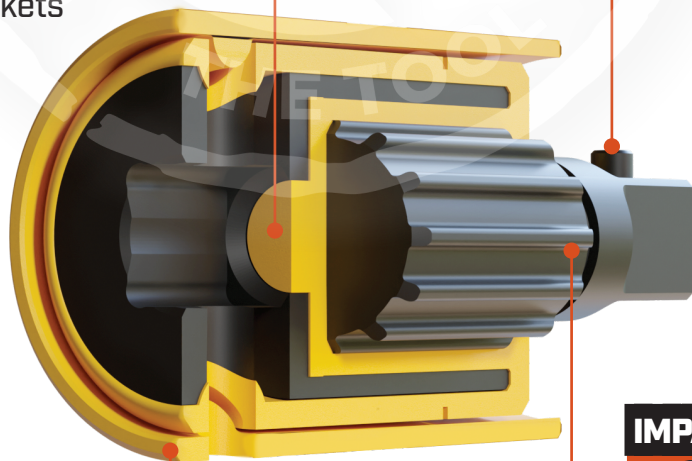
PIN DETENT

Securely retains socket



FREE-SPINNING COVER

Improve operator safety while minimizing marring, scratching, and damage



IMPACT RATED

Withstands High Duty Cycle applications

APEX

HIGH VOLTAGE ISOLATED ASSEMBLY SOLUTIONS

Safer Tightening for an EV Future



Enhance your E-Mobility and assembly operations with Apex's comprehensive range of insulated and isolated products, delivering maximum operator safety from live current, electrostatic discharge, and energized sources while maximizing productivity and minimizing downtime.

Enhanced Safety

Apex® Insulated/Isolated Bits & Sockets offer a dependable safeguard for current protection up to 1000V, significantly reducing the risks associated with contact with high voltage protection, live components, short-circuits, and grounding with tools.

Reduced Operator Injury

Experience increased operator safety and minimize lost time due to injuries with Apex u-GUARD™ free-spinning covered drive tools. These tools effectively reduce or eliminate pinch points, even when wearing gloves.

Advanced Surface Protection

Enjoy maximum protection and significantly reduced in-system damage and marring on polished and highly sensitive surfaces with Apex u-GUARD™ anti-mar protective covers. Preserve finished surfaces and reduce the risk of costly rework.

Extensive EV Tightening Solutions

Unlock endless tightening combinations with Apex Tools, with extensive customized solutions to cater to any high-voltage fastening assembly applications.

THE POSSIBILITIES ARE ENDLESS

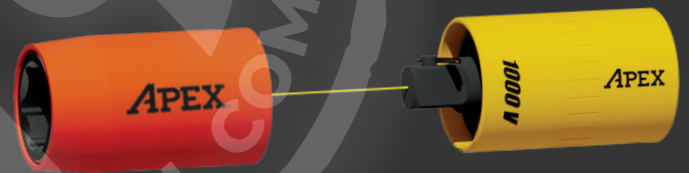
Apex's High Voltage Application provides flexibility with many different socket combinations for safe and superior EV tightening.



NC-EXEI-374

1,000s
OF AVAILABLE
OPTIONS

SOME EXAMPLES SHOWN ON THESE PAGES



NC-EXEI-374



MH64413



Classified in Accordance
With IEC 60900:2018
ASTM F1505

Classificadas conforme al
IEC 60900:2018
ASTM F1505

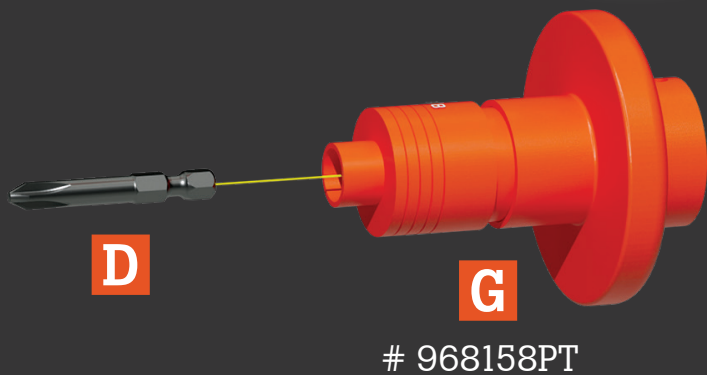
Classé conformément au
standard IEC 60900:2018
ASTM F1505

Klassifiziert in Übereinstimmung
mit IEC 60900:2018
ASTM F1505



NC-MEI-490

Innovative Solutions for Enhanced Efficiency, Productivity and Safety



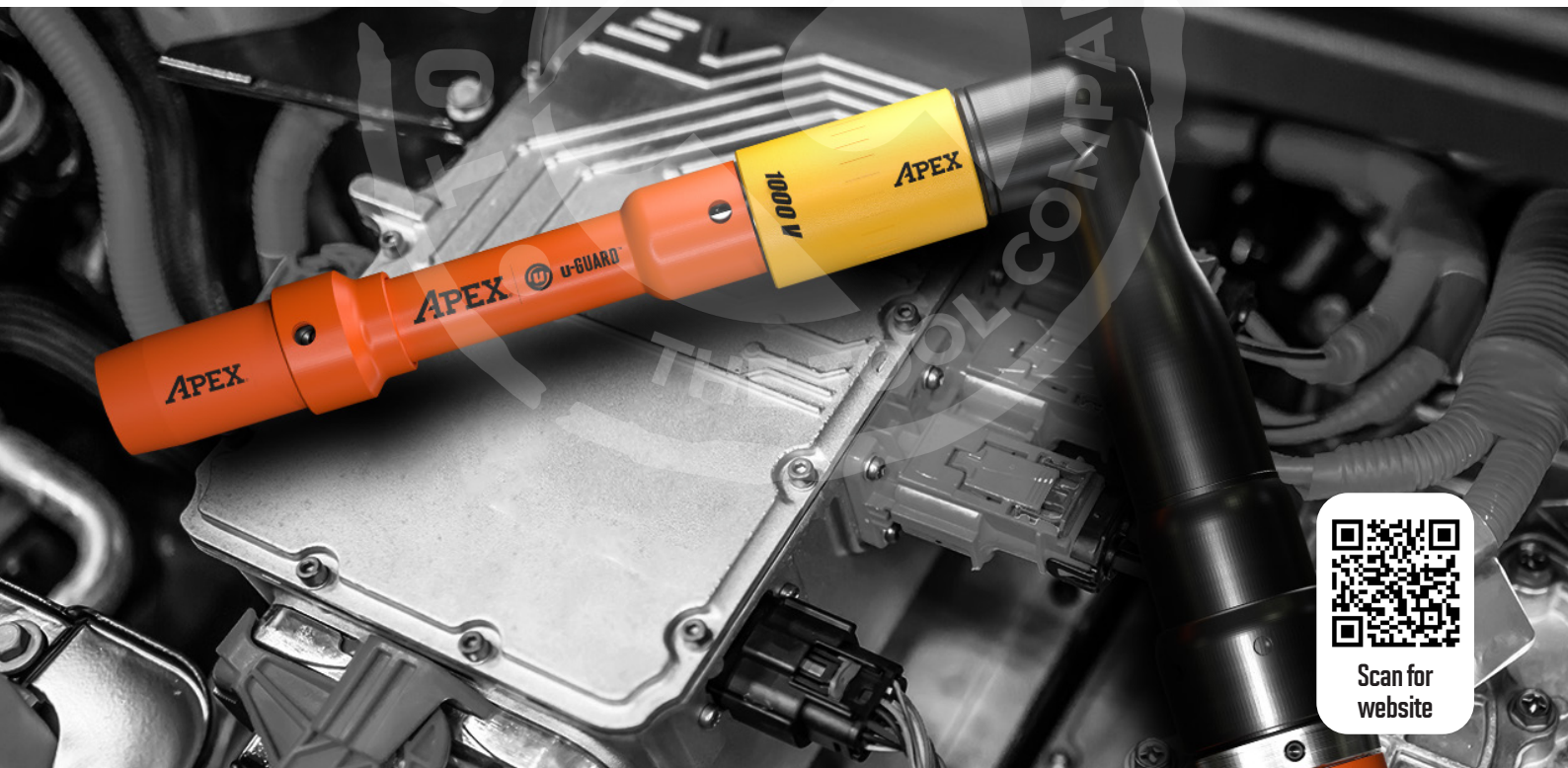
- A** Socket
- B** Gap Cover
- C** Extension
- D** Bit
- E** Bit Holder 1000V
- F** Adaptor 1000V
- G** Quick Change Adaptor 1000V

Isolated Quick Change Adaptors

Material	Material Description	Rated	Free Spinning Cover	Length		Large Ring Diameter		Diameter		Output Size	Drive Size
				in	mm	in	mm	in	mm		
968158PT	3/8" SQ - 1/4" HEX ISOLATED QUICK CHANGE ADAPTOR	1000V	Yes	3.41	86.5	2.72	69	1.18	30	1/4" Hex	3/8" SQ DR
968614PT	1/2" SQ-1/2" SQ ISOLATED QUICK CHANGE ADAPTOR	1000V	Yes	4.21	107	2.72	69	1.44	36.5	1/2" SQR	1/2" SQR DR
968157PT	3/8"SQ- 3/8"SQ ISOLATED QUICK CHANGE ADAPTOR	1000V	Yes	3.35	85	2.72	69	1.18	30	3/8" SQR	3/8" SQR DR
968883PT	1/4"HEX- 1/4"HEX ISOLATED QUICK CHANGE ADAPTOR	1000V	Yes	3.41	86.8	2.72	69	1.18	30	1/4" Hex	1/4" Hex

Isolated Adaptors

NC-EXEI-252	1/4" ISOLATED SOCKET ADAPTOR	1000V	Yes	2.2	56.3	NA	NA	0.98	24.8	1/4" SQ	1/4" SQ DR
NC-EXEI-374	3/8" ISOLATED SOCKET ADAPTOR	1000V	Yes	2.4	60.8	NA	NA	1.2	30.9	3/8" SQR	3/8" SQ DR
NC-EXEI-504	1/2" ISOLATED SOCKET ADAPTOR	1000V	Yes	2.7	67.4	NA	NA	1.5	37	1/2" SQR	1/2" SQ DR
NC-MEI-490	1/4" ISOLATED BIT HOLDER	1000V	Yes	3	75.1	NA	NA	0.9	22.8	1/4" Hex	1/4" Hex



Scan for website